

700mA High Power Infrared LED

◆ Features:

- High flux LED
- Long operating life(up to 100k hours)
- Low DC voltage operated
- Instant lighting (less than 100ns)

◆ Chip Materials:

- Dice Material: AlGaAs
- Lens Color: Water Clear

◆ Applications:

- CCTV
- Wireless communication

Optical & Electrical Characteristics at $I_F = 700\text{mA}$ ($T_a = 25^\circ\text{C}$):

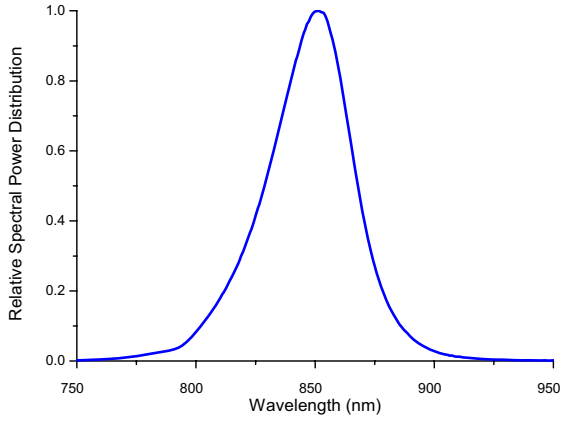
Parameter	Symbol	Value			Unit
		Min	Typ.	Max	
View Angle at 50% I_v	$2\theta_{1/2}$		140		
Peak Wavelength	λ_p		850		nm
Forward voltage	V_F	1.5	2.0	2.5	V
Forward current (rated)	I_F		0.7		A
Radiant Power	Power		230		mW
Radiant Intensity	I_v		65		mW/Sr
Power dissipation	P_D		1.4		W
Junction temperature	T_J		125		Deg.
Operation temperature	T_{OPT}		-30 ~ +85		$^\circ\text{C}$
Storage temperature	T_{STG}		-40 ~ +120		$^\circ\text{C}$

★Caution:

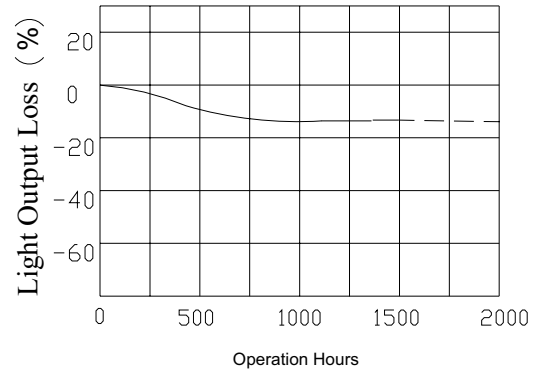
Please do not drive at rated current over 5 sec. without proper heat sink

700mA High Power Infrared LED

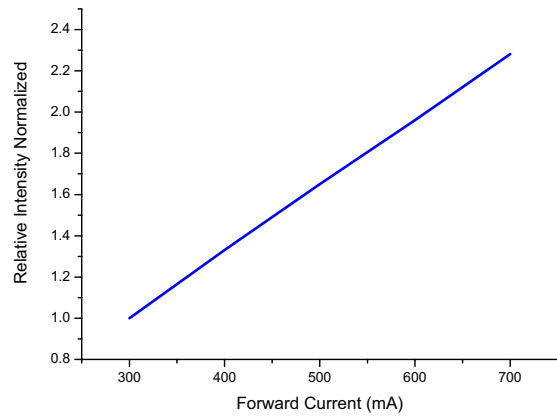
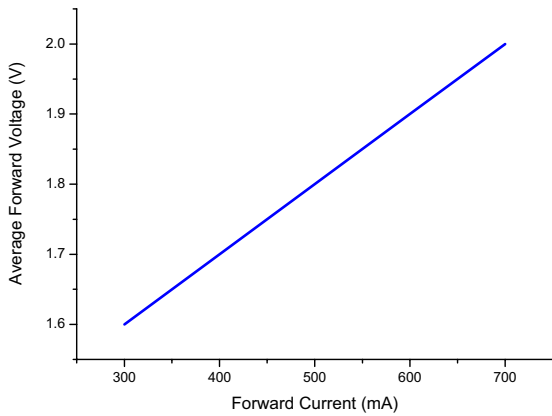
Wavelength Characteristics:



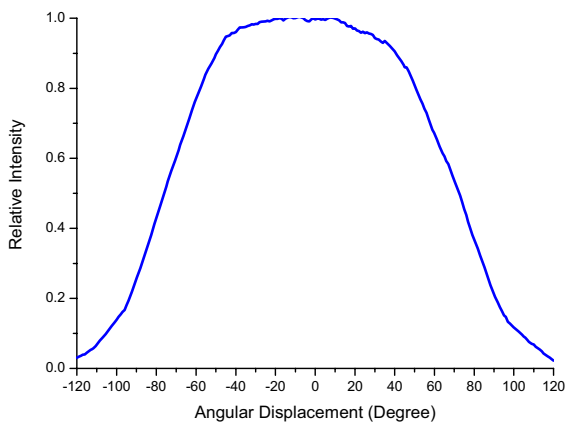
Operation Lifes:



Forward Current Characteristics:

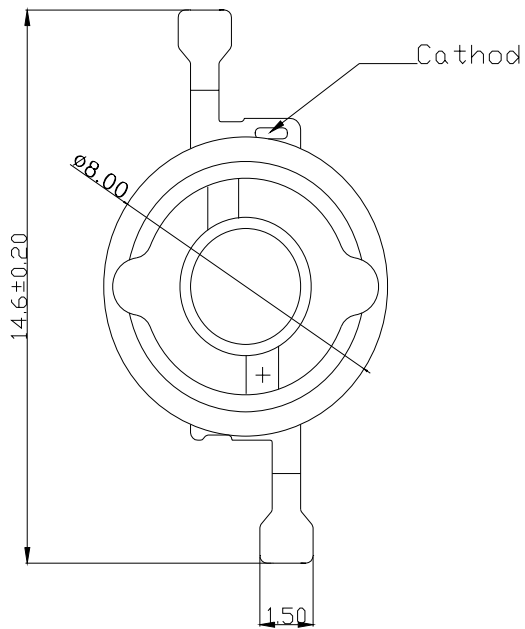


Optical Curves:

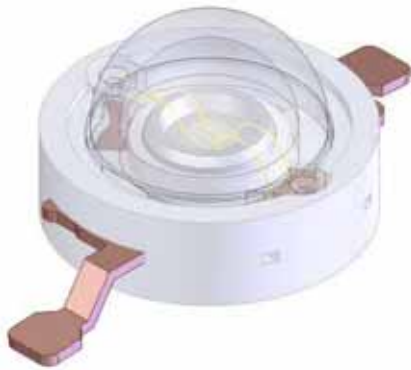
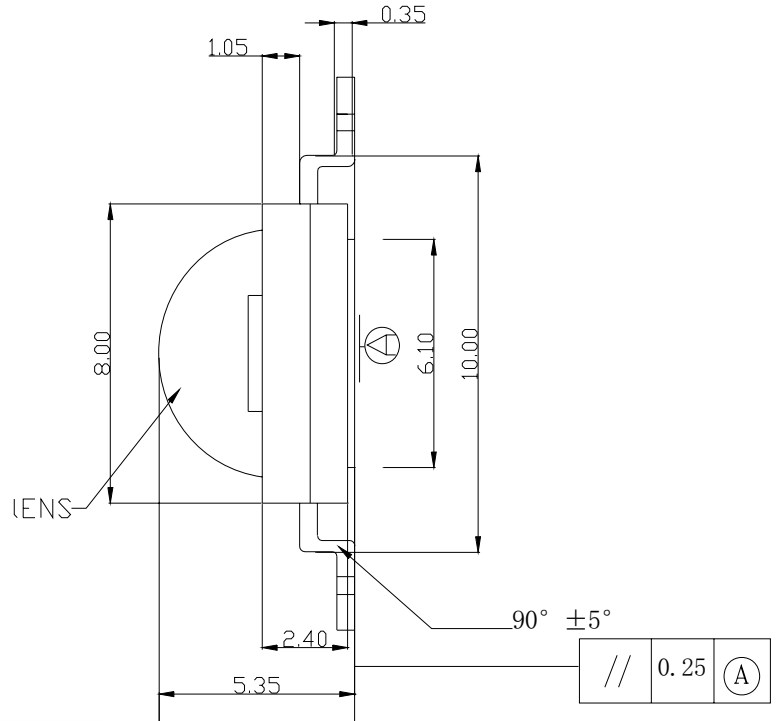


700mA High Power Infrared LED

TOP VIEW



SIDE VIEW



Lense Available : 15, 25, 45 deg.

Note:

1. All dimensions are all in millimeter.
2. Slug of package is connected to anode.