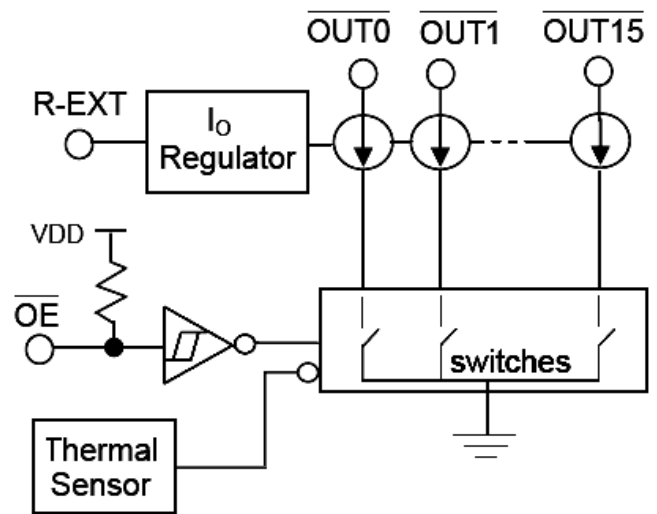


# All-Ways-On High-Power LED Driver

## Features:

- Constant output current invariant to load voltage change
- Output current adjusted through an external resistor
- Allow Load Supply Voltage drift about 17v(max)
- Schmitt trigger input
- 5V supply voltage
- Built-in thermal protection
- “Pb-free” package



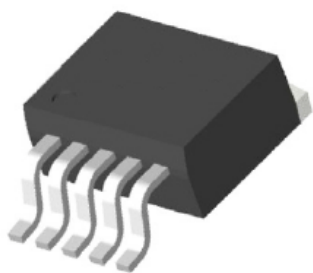
	MBI1801	MBI1802	MBI1804	MBI1816
Constant-current output channels	1	2	4	16
Maximum output constant current per channel	1.2A	360mA	240mA	60mA
Excellent output current accuracy	between channels . (max)	<±3%	<±3%	<±3%
	between ICs . (max)	<±6%	<±6%	<±6%
Thermal protection and flag	Non	Yes	Yes	Yes
Package type	TO-265	SOP8	SOP8	TSSOP20

## Applications:

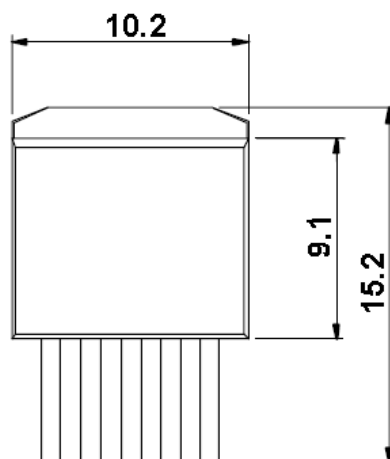
	MBI1801	MBI1802	MBI1804	MBI1816
Automotive interior lighting		●	●	●
Channel letter				●
Decoration lighting				●
High-flux LED lighting	●	●	●	
LCD backlight			●	
Photocopier			●	
Scanner			●	

# Outline Drawing (Unit:mm)

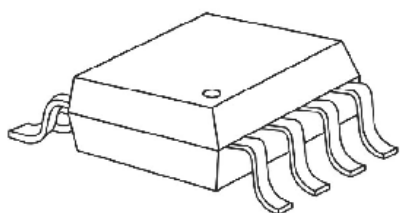
## ◆ MBI1801



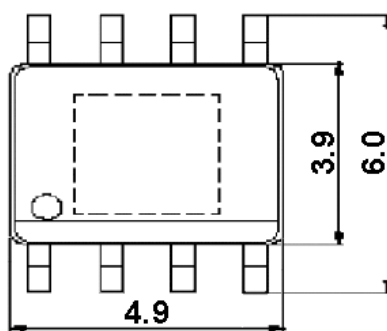
TO-265



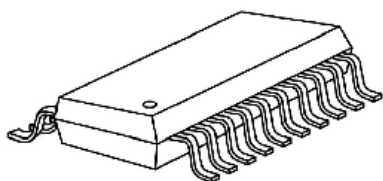
## ◆ MBI1802 MBI1804



SOP-8



## ◆ MBI1816



TSSOP-20

