

SMD Type Infrared LED

● Chip Materials

- * Dice Material :GaAlAs/GaAs
- * Lens Color : Water Clear

● Absolute Maximum Ratings(Ta=25°C)

Symbol	Parameter	Rating	Unit
P _D	Power Dissipation	50	mA
I _{PF}	Peak Forward Current (1/10 Duty Cycle, 0.1ms Pulse Width)	80	mA
I _F	Continuous Forward Current	25	mA
-	De-rating Linear From 25°C	0.25	mA/°C
V _R	Reverse Voltage	5	V
T _{opt}	Operating Temperature Range	-40 ~ +85	°C
T _{stg}	Storage Temperature Range	-40 ~ +85	°C

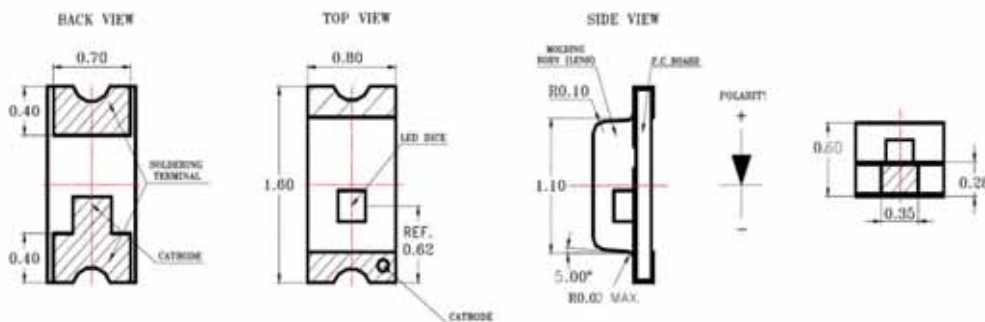
● Electro-Optical Characteristics(Ta=25°C)

Parameter	Symbol	Min.	Typ.	Max.	Unit	Test Condition
Radiant Intensity	IE		0.63	1.4	mW/sr	IF=20mA
Viewing Angle	2 θ 1/2		130		deg	
Peak Emission Wavelength	λ _p		850		nm	Measurement @Peak
Spectral Line Half-Width	Δ λ		35		nm	
Forward Voltage	V _F		1.3	1.6	V	IF =20mA
Reverse Current	I _R			100	μ A	VR = 5V

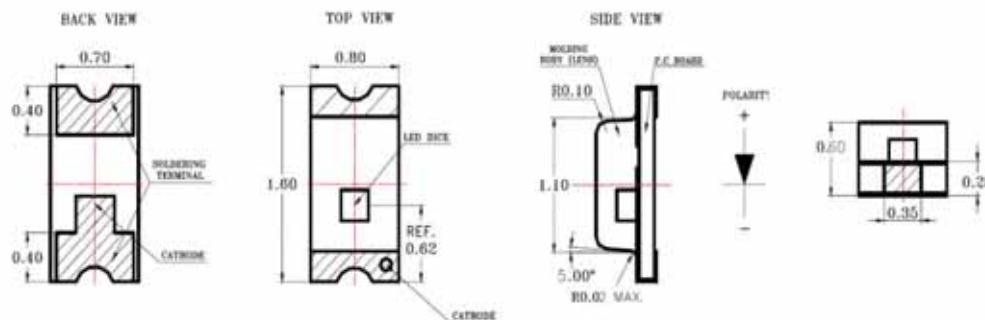
SMD Type Infrared LED

Package Dimensions:

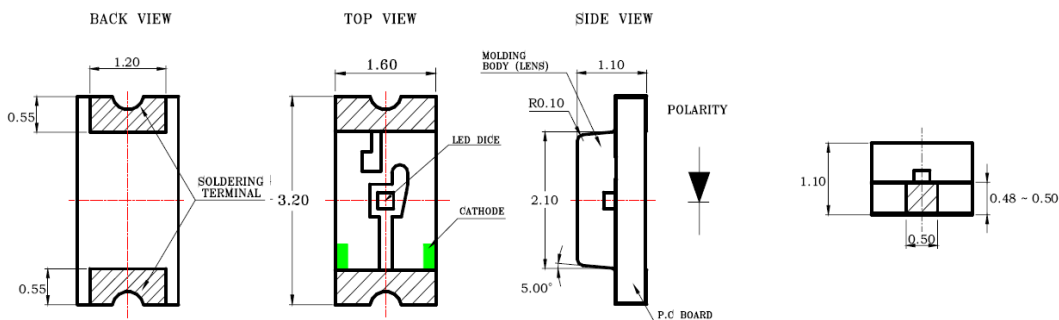
0603



0805



1206



Notes:

1. All dimensions are in millimeters.
2. Tolerance is $\pm 0.1\text{mm}$ (.004") unless otherwise specified.

● Features

- * Top view, wide view angle
- * Package in 8mm tape on 7" diameter reels.
- * EIA STD package.
- * I.C. compatible.