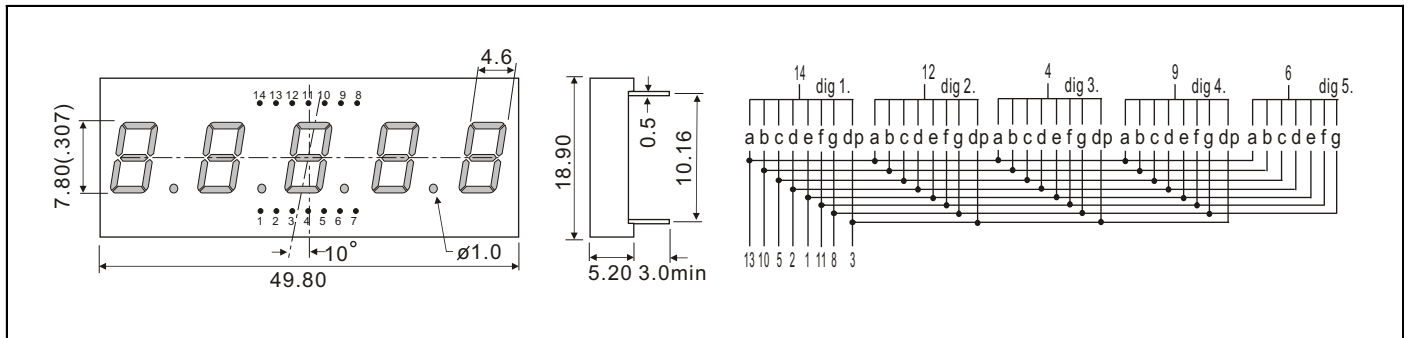


5 Digit Numeric & Alphanumeric Displays

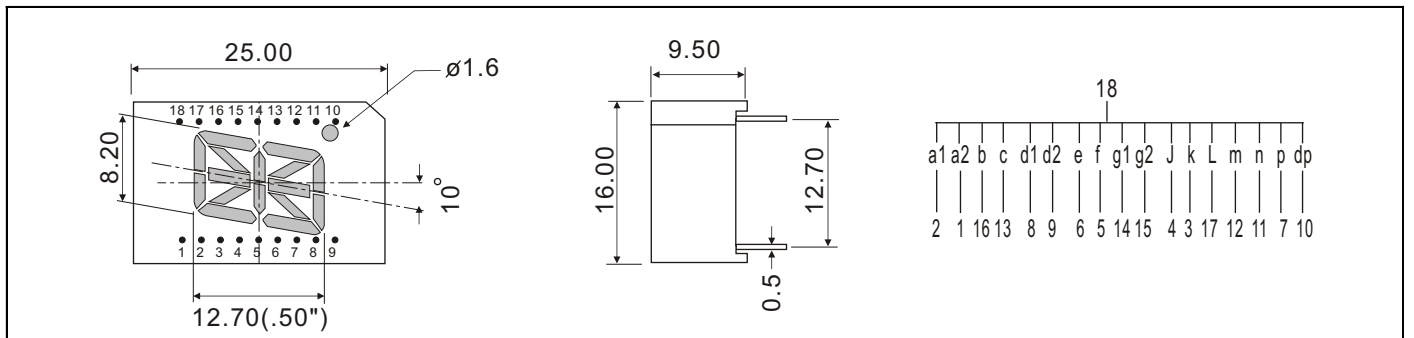
0.31" ~ 0.80"

IF=20mA/segment Ta=25°C

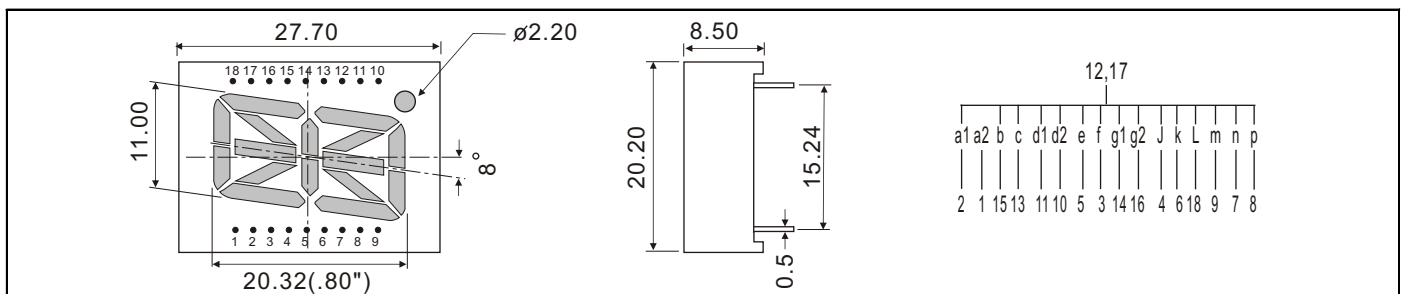
Front View	Device No		Color		Wavelength (nm)		VF Typical (V)	Brightness (ucd)	
	Common Anode	Common Cathode	Emitter	Surface, Segment	λ_p	λ_d		Minimum	Typical



0.31" 14pin	HDA-3152	HDC-3152	hi-red	GW,BW,BR,RR	700	658	2.1	600	1200
	HDA-3153	HDC-3153	yellow green	GW,BW,GGn,BGn	568	564	2.1	1500	3000
	HDA-3154	HDC-3154	yellow	GW,BW,GY,BY	585	583	2.1	1000	2000
	HDA-3155	HDC-3155	hi-eff red	GW,BW,BR,RR	635	620	2.0	1500	3000
	HDA-3156DR	HDC-3156DR	super red	GW,BW,BR,RR	660	645	1.8	3000	6000



0.50" 18pin	HAA-5012	HAC-5012	hi-red	GW,BW,BR,RR	700	658	2.1	750	1500
	HAA-5013	HAC-5013	yellow green	GW,BW,GGn,BGn	568	564	2.1	1750	3500
	HAA-5014	HAC-5014	yellow	GW,BW,GY,BY	585	583	2.1	1250	2500
	HAA-5015	HAC-5015	hi-eff red	GW,BW,BR,RR	635	620	2.0	1750	3500
	HAA-5016DR	HAC-5016DR	super red	GW,BW,BR,RR	660	645	1.8	3250	6500



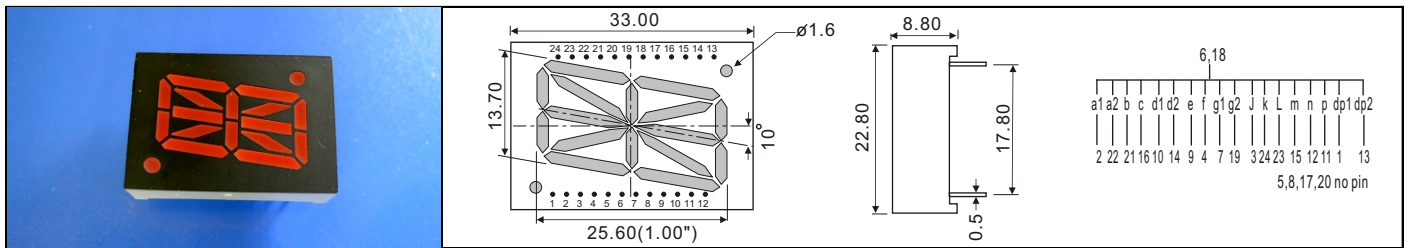
0.80" 18pin	HAA-8012	HAC-8012	hi-red	GW,BW,BR,RR	700	658	2.1	800	1600
	HAA-8013	HAC-8013	yellow green	GW,BW,GGn,BGn	568	564	2.1	1600	3200
	HAA-8014	HAC-8014	yellow	GW,BW,GY,BY	585	583	2.1	1100	2200
	HAA-8015	HAC-8015	hi-eff red	GW,BW,BR,RR	635	620	2.0	1600	3200
	HAA-8016DR	HAC-8016DR	super red	GW,BW,BR,RR	660	645	1.8	3750	7500

Alphanumeric Displays

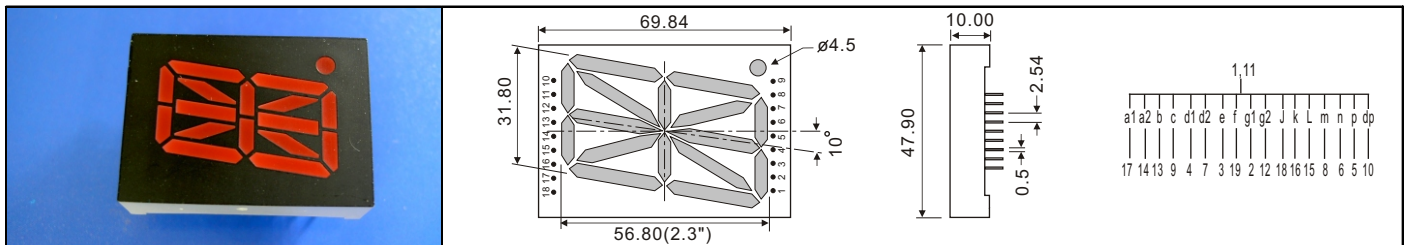
1.0" ~ 2.3"

IF=20mA/segment Ta=25°C

Front View	Device No		Color		Wavelength (nm)		VF Typical (V)	Brightness (ucd)	
	Common Anode	Common Cathode	Emitter	Surface, Segment	λ_p	λ_d		Minimum	Typical



1.0" 24pin	HAA-10013	HAC-10013	yellow green	GW,BW,GGn,BGn	568	564	4.4	2500	5000
	HAA-10014	HAC-10014	yellow	GW,BW,GY,BY	585	583	4.2	2000	4000
	HAA-10015	HAC-10015	hi-eff red	GW,BW,BR,RR	635	620	4.0	2500	5000
	HAA-10016DR	HAC-10016DR	super red	GW,BW,BR,RR	660	645	3.4	5000	10000



2.3" 18pin	HAA-23013	HAC-23013	yellow green	GW,BW,GGn,BGn	568	564	4.4	2500	5000
	HAA-23014	HAC-23014	yellow	GW,BW,GY,BY	585	583	4.2	2000	4000
	HAA-23015	HAC-23015	hi-eff red	GW,BW,BR,RR	635	620	4.0	2500	5000
	HAA-23016DR	HAC-23016DR	super red	GW,BW,BR,RR	660	645	3.4	5000	10000