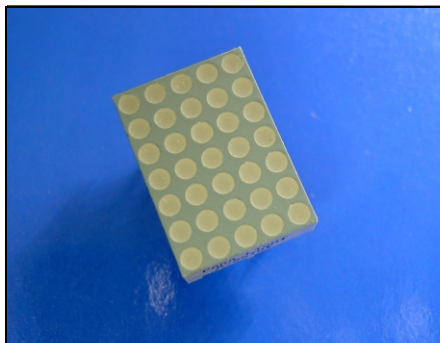


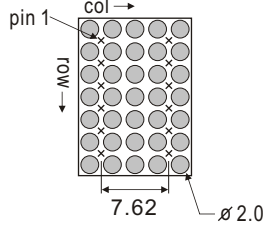
# Dot Matrix Displays

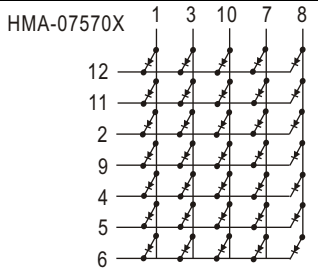
5x7 0.7" ~ 1.25"

IF=10mA/dot Ta=25°C

Front View	Device No		Color		Wavelength (nm)		VF Typical (V)	Brightness (ucd)	
	Column Anode	Column Cathode	Emitter	Surface, Segment	$\lambda_p$	$\lambda_d$		Minimum	Typical





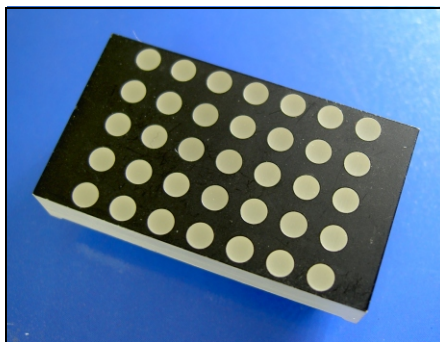


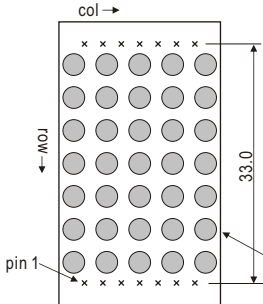
HMA-07570X

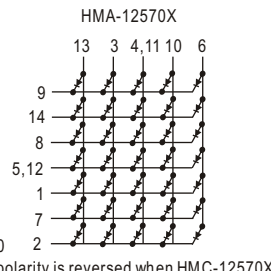
polarity is reversed when HMC-07570X

L:17.7mm, W:12.7mm, H:6.1mm, Lead Length:3.0min, Pitch:2.54mm

5X7 0.7" $\phi$ 2.0 12pin	HMA-075703	HMC-075703	yellow green	GW,BW	565	564	2.1	4000	8000
	HMA-075705	HMC-075705	hi-eff red	GW,BW	635	620	2.0	4000	8000
	HMA-075706DR	HMC-075706DR	super red	GW,BW	660	645	1.8	6000	12000
	HMA-075704AY	HMC-075704AY	super yellow	GW,BW	592	590	2.0	15000	30000
	HMA-075705AO	HMC-075705AO	fresh red	GW,BW	620	618	2.0	14000	28000








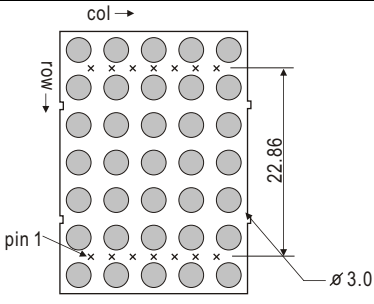
HMA-12570X

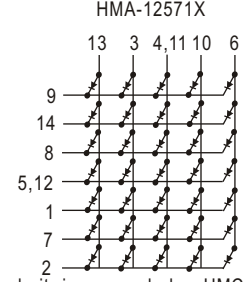
polarity is reversed when HMC-12570X

L:39.1mm, W:22.3mm, H:7.9mm, Lead Length:3.0min, Pitch:2.54mm

5X7 1.2" $\phi$ 3.0 14pin	HMA-125703	HMC-125703	yellow green	GW,BW	565	564	2.1	4000	8000
	HMA-125705	HMC-125705	hi-eff red	GW,BW	635	620	2.0	4000	8000
	HMA-125706DR	HMC-125706DR	super red	GW,BW	660	645	1.8	6000	12000
	HMA-125704AY	HMC-125704AY	super yellow	GW,BW	592	590	2.0	15000	30000
	HMA-125705AO	HMC-125705AO	fresh red	GW,BW	620	618	2.0	14000	28000







HMA-12571X

polarity is reversed when HMC-12571X

L:31.8mm, W:22.75mm, H:8.0mm, Lead Length:6.3 + 0.5, Pitch:2.54mm


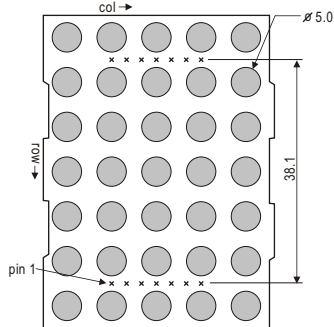
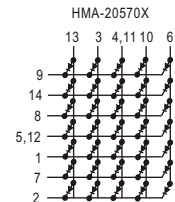
5X7 1.4" $\phi$ 3.0 14pin	HMA-125713	HMC-125713	yellow green	GW,BW	565	564	2.1	4500	9000
	HMA-125715	HMC-125715	hi-eff red	GW,BW	635	620	2.0	4500	9000
	HMA-125716DR	HMC-125716DR	super red	GW,BW	660	645	1.8	7000	14000
	HMA-125714AY	HMC-125714AY	super yellow	GW,BW	592	590	2.0	15000	30000
	HMA-125715AO	HMC-125715AO	fresh red	GW,BW	620	618	2.0	14000	28000

# Dot Matrix Displays

5x7 2.0" ~ 4.0"

If=10mA/dot Ta=25°C

Front View	Device No		Color		Wavelength (nm)		VF Typical (V)	Brightness (ucd)	
	Column Anode	Column Cathode	Emitter	Surface, Segment	$\lambda_p$	$\lambda_d$		Minimum	Typical


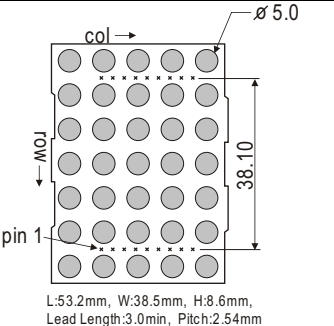
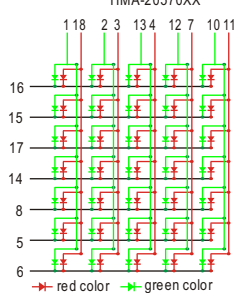




HMA-20570X  
13 3 4,11 10 6  
9  
14  
8  
5,12  
1  
7  
2

polarity is reversed when HMC-20570X

L:53.2mm, W:38.5mm, H:8.6mm,  
Lead Length:3.0min, Pitch:2.54mm

5X7	HMA-205703	HMC-205703	yellow green	GW,BW	565	564	2.1	6000	12000
2.0"	HMA-205705	HMC-205705	hi-eff red	GW,BW	635	620	2.0	6000	12000
$\phi$ 5.0	HMA-205706DR	HMC-205706DR	super red	GW,BW	660	645	1.8	8000	16000
14pin	HMA-205704AY	HMC-205704AY	super yellow	GW,BW	592	590	2.0	16000	32000


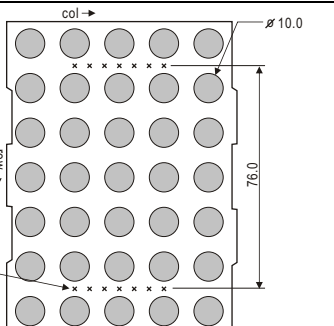
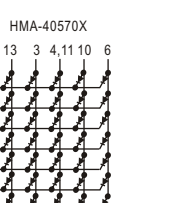




HMA-2057053  
1 18 2 3 13 4 12 7 10 11  
16  
15  
17  
14  
8  
5  
6

red color green color  
polarity is reversed when HMC-2057053

L:53.2mm, W:38.5mm, H:8.6mm,  
Lead Length:3.0min, Pitch:2.54mm

5X7	HMA-2057053	HMC-2057053	hi-eff red	GW,BW	635	620	2.0	6000	12000
2.1"			yellow green		568	564	2.1	6000	12000
$\phi$ 5.0									
dual color									

HMA-40570X  
13 3 4,11 10 6  
9  
14  
8  
5,12  
1  
7  
2

polarity is reversed when HMC-40570X

L:106.4mm, W:76.2mm, H:13.0mm,  
Lead Length:5.40min, Pitch:5.08mm


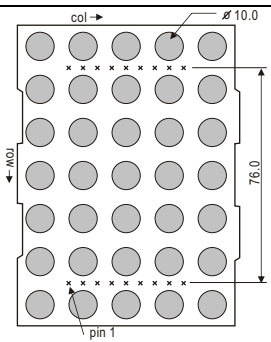
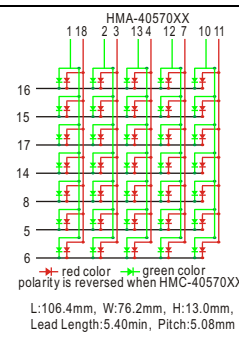
5X7	HMA-405703	HMC-405703	yellow green	GW,BW	568	564	2.1	7500	15000
4.0"	HMA-405705	HMC-405705	hi-eff red	GW,BW	635	620	2.0	7500	15000
$\phi$ 10	HMA-405706DR	HMC-405706DR	super red	GW,BW	660	645	1.8	9000	18000
14pin	HMA-405704AY	HMC-405704AY	super yellow	GW,BW	592	590	2.0	17500	35000
	HMA-405705AO	HMC-405705AO	fresh red	GW,BW	620	618	2.0	16000	32000

# Dot Matrix Displays

5x7 4.0" ~ 5x8 1.4"

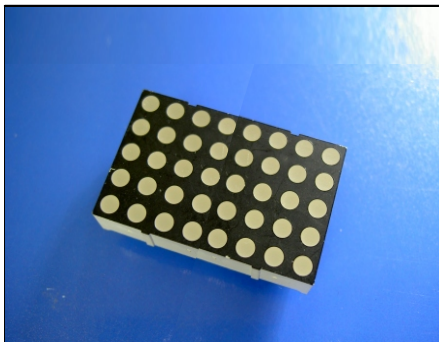
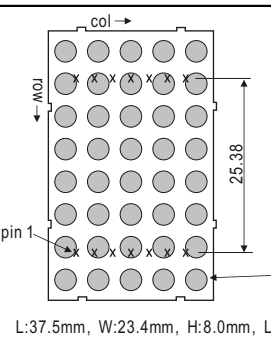
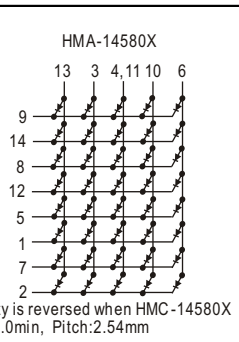
IF=10mA/dot Ta=25°C

Front View	Device No		Color		Wavelength (nm)		VF	Brightness (ucd)	
	Column Anode	Column Cathode	Emitter	Surface, Segment	$\lambda_p$	$\lambda_d$	Typical (V)	Minimum	Typical

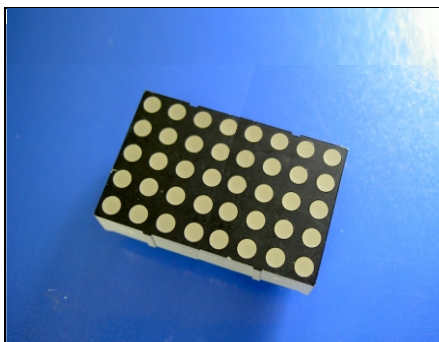
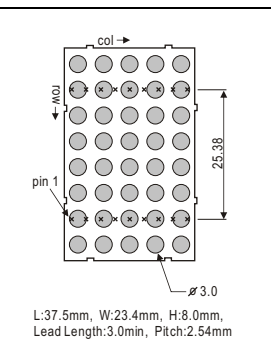
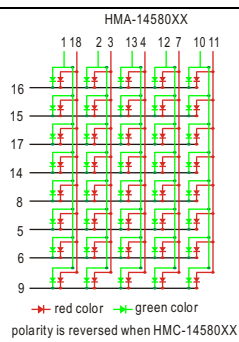
L:106.4mm, W:76.2mm, H:13.0mm, Lead Length:5.40min, Pitch:5.08mm

5X7 4.0" $\phi$ 10 dual color	HMA-4057053	HMC-4057053	hi-eff red	GW,BW	635	620	2.0	7500	15000
			yellow green		568	564	2.1	7500	15000

L:37.5mm, W:23.4mm, H:8.0mm, Lead Length:3.0min, Pitch:2.54mm

5X8 1.4" $\phi$ 3.0 14pin	HMA-145803	HMC-145803	yellow green	GW,BW	565	564	2.1	4500	9000
	HMA-145805	HMC-145805	hi-eff red	GW,BW	635	620	2.0	4500	9000
	HMA-145806DR	HMC-145806DR	super red	GW,BW	660	645	1.8	6500	13000
	HMA-145804AY	HMC-145804AY	super yellow	GW,BW	592	590	2.0	11000	22000
	HMA-145805AO	HMC-145805AO	fresh red	GW,BW	620	618	2.0	11000	22000

L:37.5mm, W:23.4mm, H:8.0mm, Lead Length:3.0min, Pitch:2.54mm

5X8 1.4" $\phi$ 3.0 dual color	HMA-1458053	HMC-1458053	hi-eff red	GW,BW	635	620	2.0	4500	9000
			yellow green		568	564	2.1	4500	9000

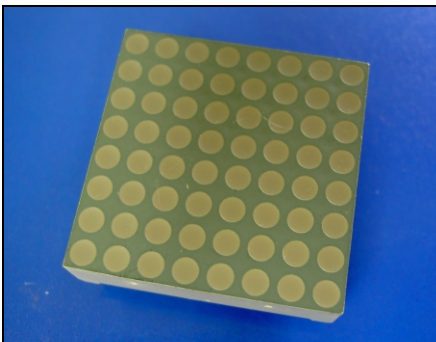


# Dot Matrix Displays

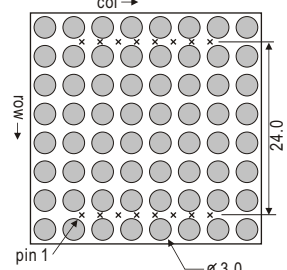
8x8 1.2" ~ 2.3"

IF=10mA/dot Ta=25°C

Front View	Device No		Color		Wavelength (nm)		VF	Brightness (ucd)	
	Column Anode	Column Cathode	Emitter	Surface, Segment	$\lambda_p$	$\lambda_d$	Typical (V)	Minimum	Typical



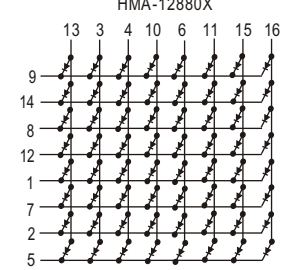
col →



pin 1

$\phi$  3.0

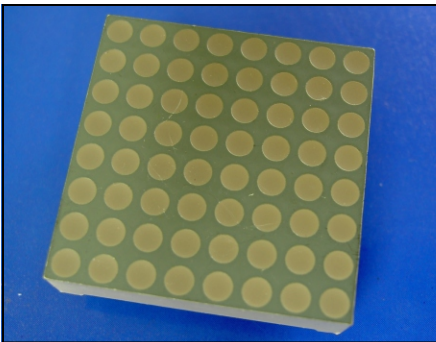
HMA-12880X



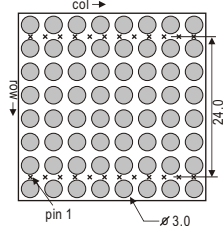
polarity is reversed when HMC-12880X

L:32.0mm, W:32.0mm, H:8.0mm, Lead Length:3.0min, Pitch:2.54mm

8X8 1.2" $\phi$ 3.0 16pin	HMA-128803	HMC-128803	yellow green	GW,BW	568	564	2.1	4500	9000
	HMA-128805	HMC-128805	hi-eff red	GW,BW	635	620	2.0	4500	9000
	HMA-128806DR	HMC-128806DR	super red	GW,BW	660	645	1.8	7000	14000
	HMA-128804AY	HMC-128804AY	super yellow	GW,BW	592	590	2.0	11000	22000
	HMA-128805AO	HMC-128805AO	fresh red	GW,BW	620	618	2.0	11000	22000



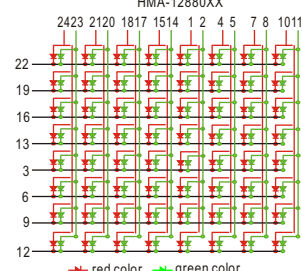
col →



pin 1

$\phi$  3.0

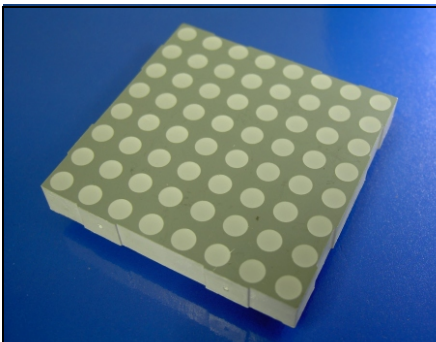
HMA-12880XX



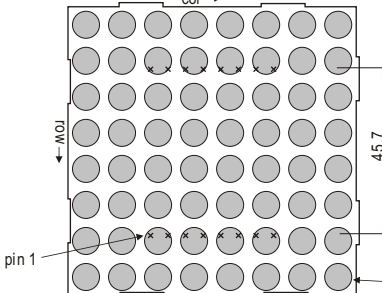
polarity is reversed when HMC-12880XX

L:32.0mm, W:32.0mm, H:8.0mm, Lead Length:3.0min, Pitch:2.54mm

8X8 1.2" $\phi$ 3.0 dual color	HMA-1288053	HMC-1288053	hi-eff red	GW,BW	635	620	2.0	5000	10000
			yellow green		568	564	2.1	5000	10000



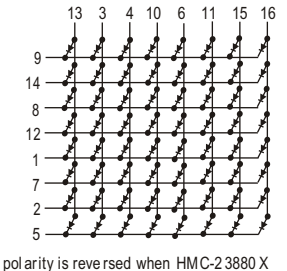
col →



pin 1

$\phi$  5.0

HMA-23880X



polarity is reversed when HMC-23880X

L:60.2mm, W:60.2mm, H:8.9mm, Lead Length:3.0min, Pitch:2.54mm

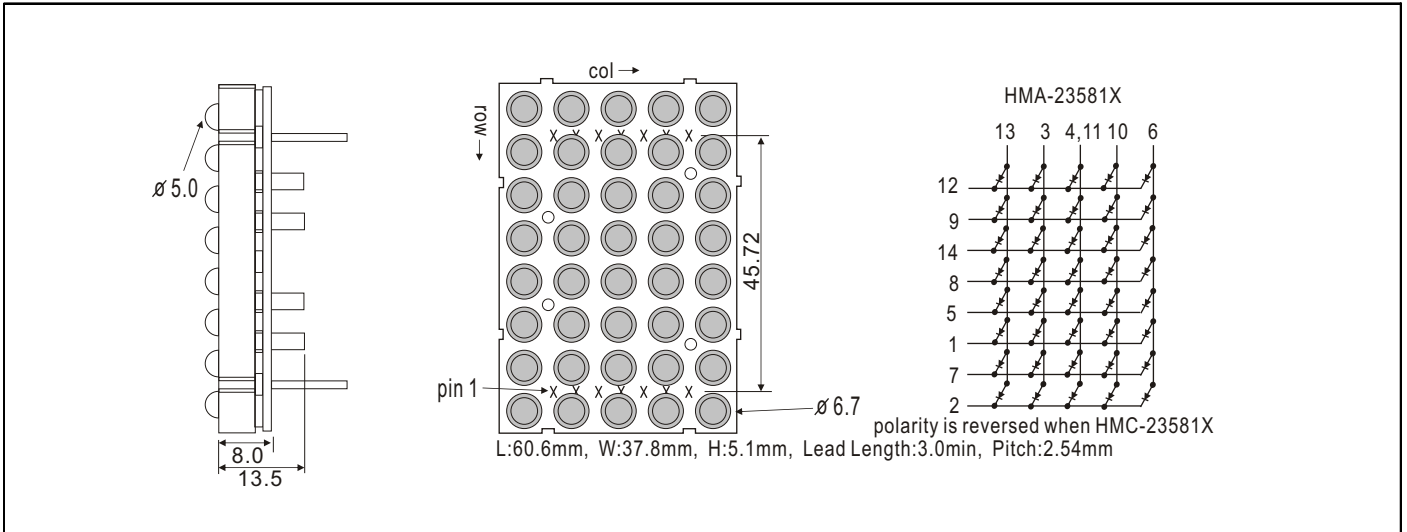
8X8 2.3" $\phi$ 5.0 16pin	HMA-238803	HMC-238803	yellow green	GW,BW	565	564	2.1	6000	12000
	HMA-238805	HMC-238805	hi-eff red	GW,BW	635	620	2.0	6000	12000
	HMA-238806DR	HMC-238806DR	super red	GW,BW	660	645	1.8	8500	17000
	HMA-238804AY	HMC-238804AY	super yellow	GW,BW	592	590	2.0	12500	25000
	HMA-238805AO	HMC-238805AO	fresh red	GW,BW	620	618	2.0	12500	25000

# Led Dot Matrix Displays

5x8 2.3"

IF=10mA/dot Ta=25°C

Front View	Device No		Color		Wavelength (nm)		VF Typical (V)	Brightness (mcd)	
	Column Anode	Column Cathode	Emitter	Surface, Segment	$\lambda_p$	$\lambda_d$		Minimum	Typical



5X8	HMA-235803	HMC-235803	yellow green	GW,BW	565	564	2.1	4500	200
2.3"	HMA-235805	HMC-235805	hi-eff red	GW,BW	635	620	2.0	4500	200
$\phi 5.0$	HMA-235806DR	HMC-235806DR	super red	GW,BW	660	645	1.8	6500	450
14pin	HMA-235805AR	HMC-235805AR	super red	GW,BW	660	645	2.0	11000	800