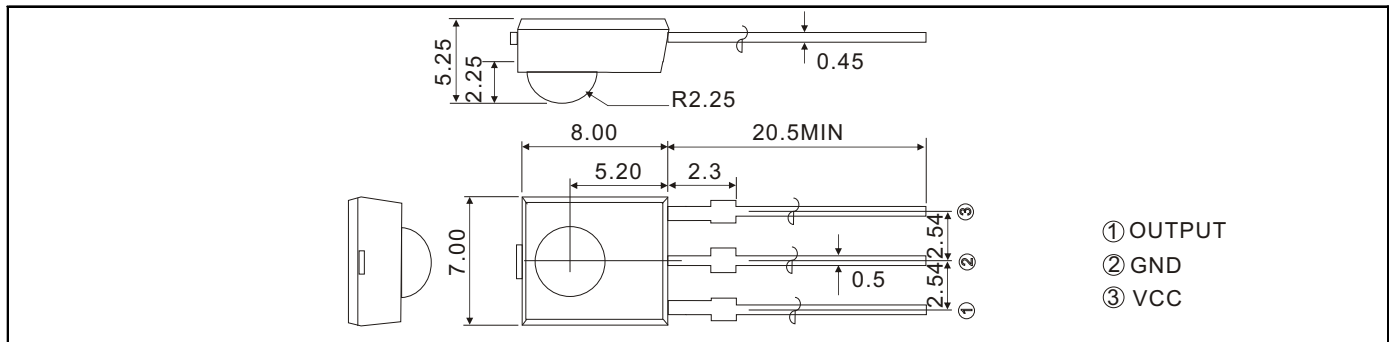


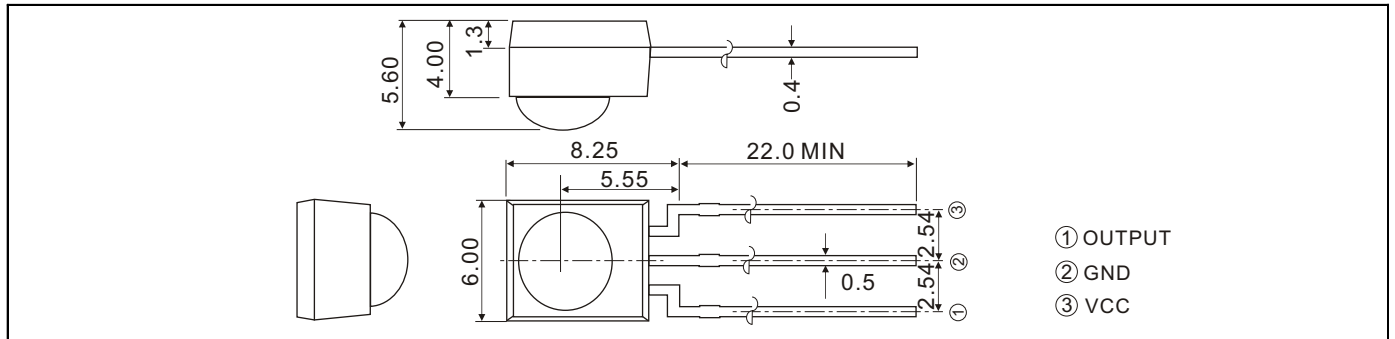
# I.R. Receiver Pre-amp Module

Ta=25°C

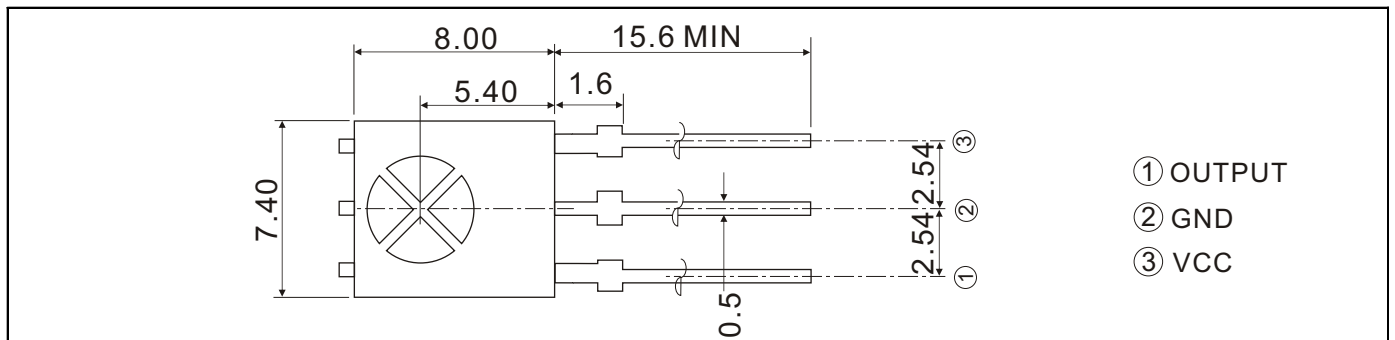
Device No	Feature	Supply voltage	Controlling Distance	Low Level Pulse Width(us)			High Level Pulse Width(us)			Carrier wave frequency(kHz)
		Vcc(V)	L typ(M)	Min	Typ	Max	Min	Typ	Max	Fo (typical)



IR460	small type 3pin	4.5~5.5	12	400	600	800	400	600	800	38.0
-------	-----------------	---------	----	-----	-----	-----	-----	-----	-----	------



IR2638	small type 3pin	4.5~5.5	14	400	600	800	400	600	800	38.0
--------	-----------------	---------	----	-----	-----	-----	-----	-----	-----	------



IR001T5	small type 3pin	4.5~5.5	35	480	600	720	480	600	720	38.0
IR1261	small type 3pin	4.5~5.5	16	400	600	800	400	600	800	38.0