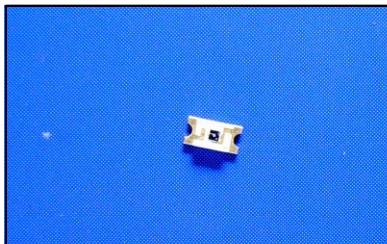
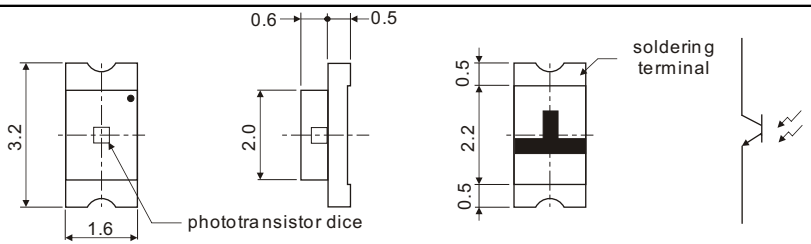

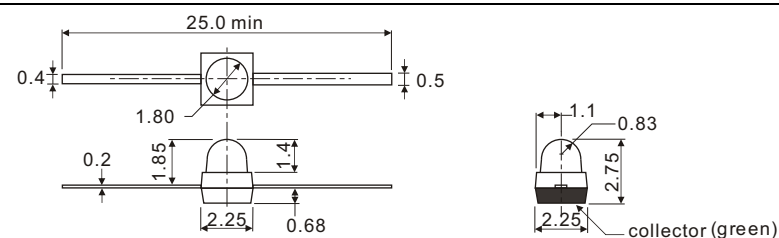


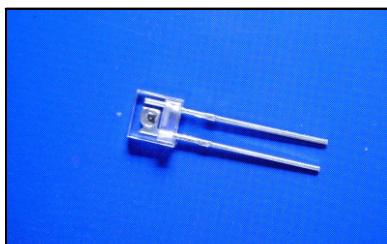
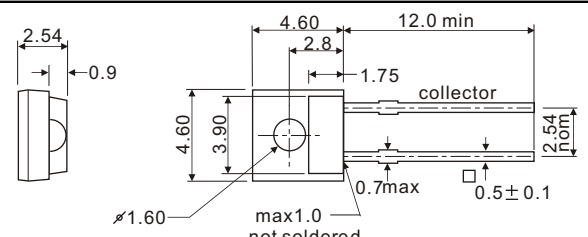
Phototransistors


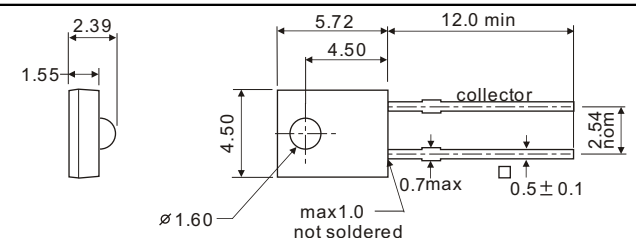
Ta=25°C

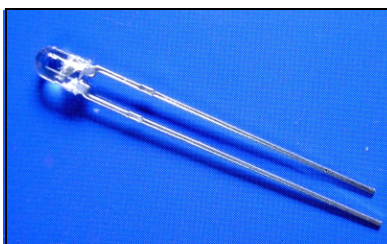
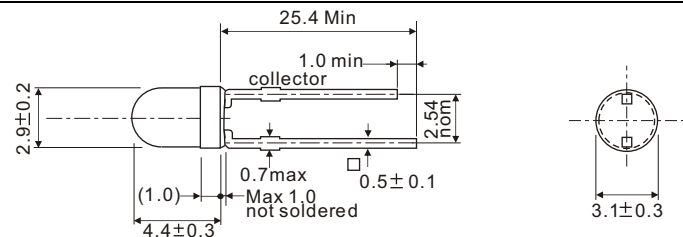
Device No	Lens Color	Sensitive Wavelength		VCEO	VECO	VCES	Ic		Radiant Sensitive Area mm ²	View Angle 2θ1/2
		λp(nm)	λ(nm)	Max(V)	Max(V)	Max(V)	Typ(mA)	VEC		

										
	HPTCL-150D	water clear	900	500~1100	20	5	0.4	0.4	5	0.19

										
	HPTMIB-4D	water clear	900	500~1100	20	5	0.4	1.2	5	0.19

										
	HPTB1-48B	water clear	900	500~1100	30	5	0.4	0.5	5	0.19
HPTB1-48D	water clear	900	500~1100	30	5	0.4	1.0	5	0.19	40

										
	HPTB1b-48D	water clear	900	500~1100	30	5	0.4	1.0	5	0.19

										
	HPTB3J-44D	water clear	900	500~1100	30	5	0.4	1.2	5	0.19