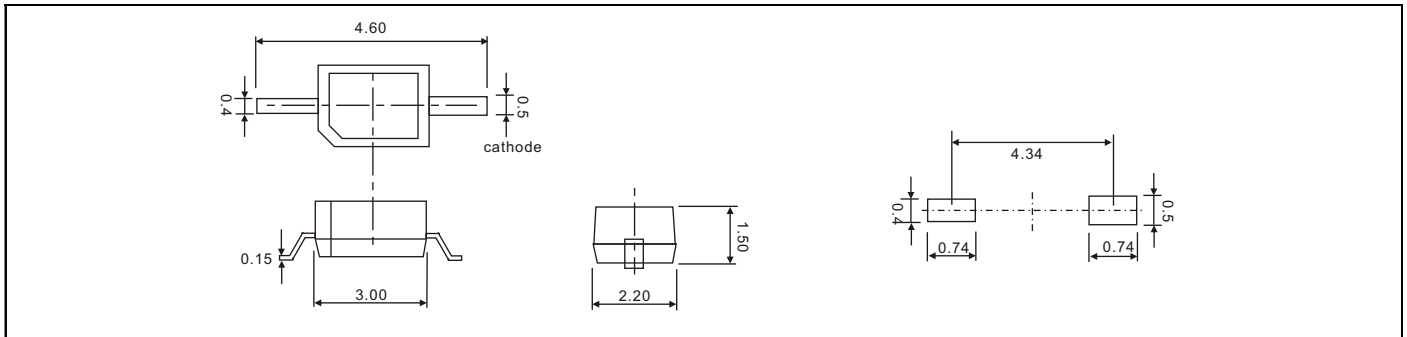


# Miniature Device LEDs

IF=20mA Ta=25°C

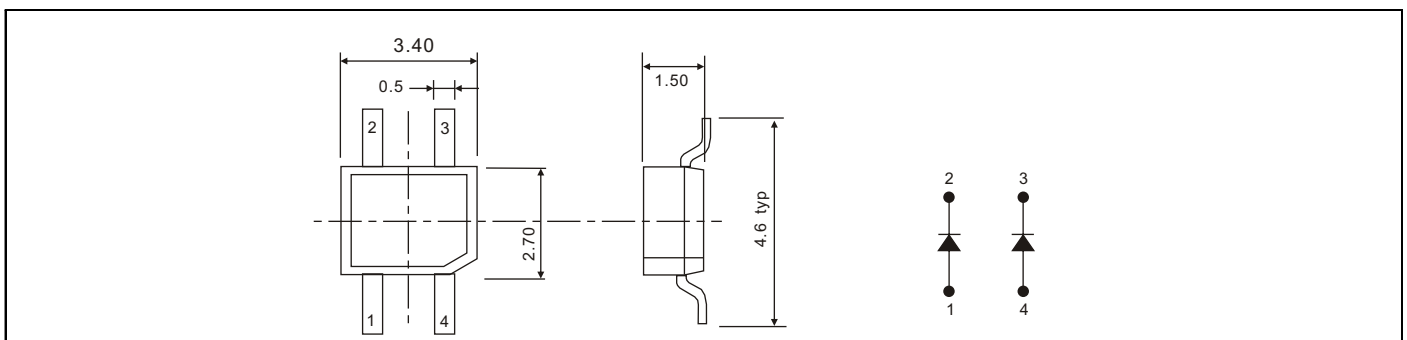
Device No	Color		Wavelength (nm)		VF Typical (V)	Brightness (mcd)		View Angle 2θ1/2
	Emitter	Lens	λp	λd		IV1	IV2	

## Single Color Case Size: 3.0 X 2.2 mm



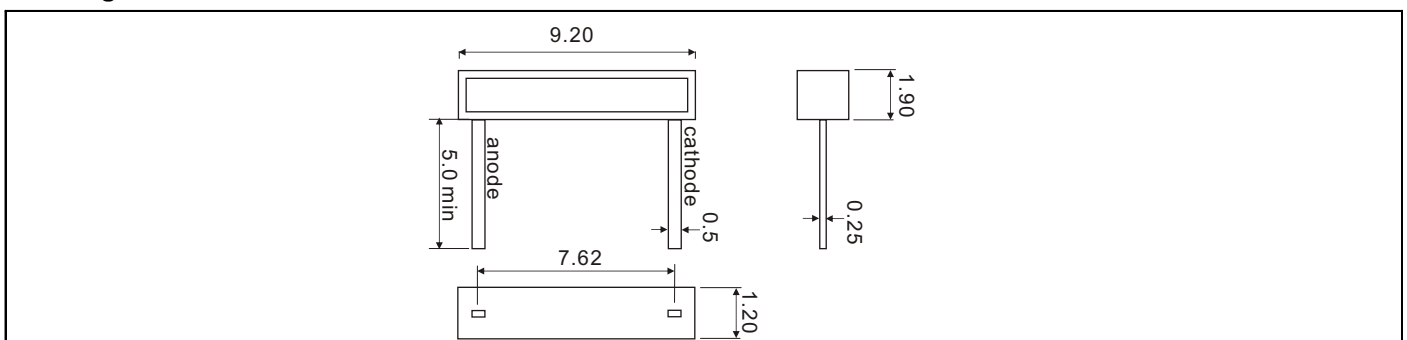
HTLR3-43/TR7	yellow green	water clear	570	567	2.15	25.0	25.0	130
HTLR3-44/TR7	yellow	water clear	589	585	2.10	12.0	12.0	
HTLR3-45/TR7	hi-eff red	water clear	625	618	2.05	12.0	15.0	
HTLR3-46DR/TR7	super red	water clear	660	643	1.80	20.0	40.0	

## Dual Color Case Size: 3.4 X 2.7 mm



HTLR3a-453/TR7	hi-eff red	water clear	625	618	2.05	12.0	12.0	125
	yellow green		570	567	2.15	20.0	20.0	
HTLR3a-463/TR7	super red	water clear	660	643	1.80	20.0	40.0	
	yellow green		570	567	2.15	20.0	20.0	

## Back Light Case Size: 9.2 X 1.9 mm



HTLR2-43	yellow green	water clear	570	567	4.2	12.0	12.0	180
HTLR2-44	yellow	water clear	589	585	4.1	11.0	11.0	
HTLR2-45	hi-eff red	water clear	625	618	4.0	12.5	12.5	
HTLR2-47	amber	water clear	610	606	4.0	12.5	12.5	

IV1:Labsphere LED-1100 IV2:EXELTRON 2001.