

Extra Bright LEDs

Super Flux LEDs

Feature:

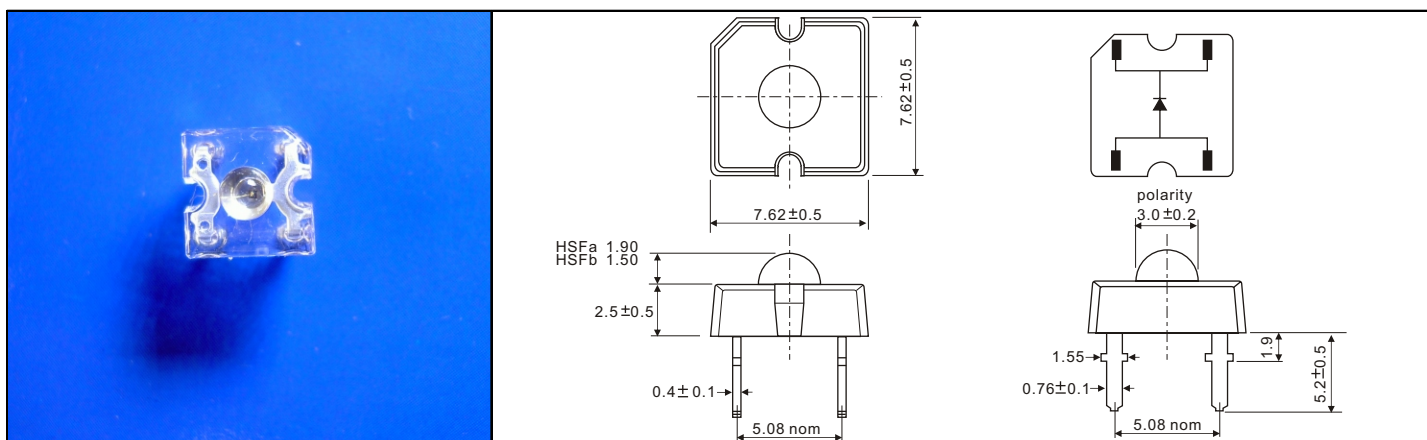
- High brightness output.
- Designed for high current operation.
- Low thermal resistance.
- Low profile.
- Package in tubes for use with automatic pick and place equipment.

Applications:

- Automotive exterior lighting.
- Small and large area displays.
- Back lighting.

IF=20mA Ta=25°C

Device No	Color	Forward current	Wavelength (nm)		VF Typical	Brightness (mcd)	View Angle
	Emitter	mA	λ_p	λ_d	(V)	Typical	2 θ 1/2



HSFa-43AG	pure green	20	525	530	3.60	550	45
HSFa-44AY	yellow	70	592	590	2.00	350	
HSFa-45AO	orange	70	620	615	2.00	350	
HSFa-46ARA	deep red	70	660	645	1.90	450	
HSFa-48ABC	blue	20	475	470	3.50	500	
HSFa-49AWC	white	20	(x:0.32,y:0.31)		3.60	2000	
HSFb-43AG	pure green	20	525	530	3.60	500	65
HSFb-44AY	yellow	70	592	590	2.00	300	
HSFb-45AO	orange	70	620	615	2.00	300	
HSFb-46ARA	deep red	70	660	645	1.90	400	
HSFb-48ABC	blue	20	475	470	3.50	450	
HSFb-49AWC	white	20	(x:0.32,y:0.31)		3.60	1500	