



TW3072 GPS Brickwall Pre-Filtered Antenna

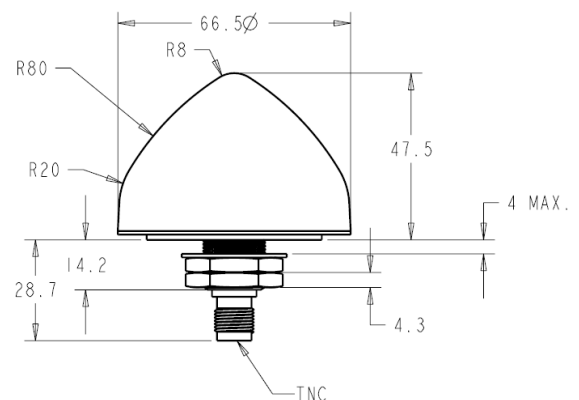
The TW3072 by Tallysman Wireless is a professional grade, high gain, pre-filtered permanent mount, GPS L1 antenna, with a conical radome specially designed for timing applications in environments characterized by high L-Band RF fields.

The TW3072 features a precisely tuned ceramic patch element, a tight band-pass SAW pre-filter, a first LNA gain stage, an in line SAW filter, followed by a two stage amplifier. It covers the GPS L1 and SBAS (WAAS/EGNOS/MSAS) frequency band (1572.5 to 1578 MHz), and it offers unparalleled out-of-band signal rejection and excellent axial ratio for improved signal reception and multipath rejection.

The TW3042 is housed in a permanent mount industrial-grade weather-proof conical white enclosure, and comes with a TNC Jack (female) connector. An L-bracket for pole mount is available.



TW3072 Dimensions (mm)



Applications

- Anti-Jamming GPS
- Military & Security
- Network Timing and Synchronisation
- Long Cable run installations

Features

- Narrow pass-band SAW pre-filter
- LNA Noise Figure: <3.3dB
- Axial ratio: <4dB at Zenith
- High LNA gain: 42 dB typ.
- Low current: 20 mA typ.
- ESD circuit protection: 15 KV
- Wide voltage input range: +2.7 to 10 VDC

Benefits

- Great out-of-band signal rejection
- Ideal for high level RF environments
- Great multipath rejection
- Increase system accuracy
- Great signal to noise ratio
- Weather proof IP67 housing
- RoHS compliant



TW3072 GPS Brickwall Pre-Filtered Antenna

Specifications

Test Conditions: Vcc = 3V, over full bandwidth, T=25°C

Antenna

Architecture Custom single-feed ceramic patch
Antenna Gain (100mm ground plane) 5 dBic at 90° on 100mm Ground Plane
Axial Ratio 4 dB at 90°, 6dB at 20°

Electrical

Architecture SAW Pre Pre-Filter, 1st LNA, in-line SAW filter, two stage LNA
Frequency Bandwidth 1572.5 to 1578 MHz
Polarization RHCP
LNA Gain (including SAW pre-filter) 40 dB min. at 90° (at 1575.42 MHz)
Out-of-Band Rejection *Refer to table below
VSWR (at LNA output) <1.5:1
Noise Figure 3.3 dB typ.
Supply Voltage Range +2.7 to 10 VDC nominal
Supply Current 25 mA Max.
ESD Circuit protection 15 KV air discharge

Mechanicals & Environmental

Mechanical Size 66.5 mm dia. x 47.5 mm H
Connector / Cable TNC female bulkhead / Custom cable assembly available
Operating Temp. Range -40 to +85 °C
Enclosure Radome: Dark Gray or White ASA Plastic,
Base: Zamak White Metal
Weight 150 g
Attachment Method L-Bracket option: P/N# 23-0040-0
Environmental IP67 and RoHS compliant
Shock Vertical axis: 50 G, other axes: 30 G
Vibration 3 axis, sweep = 15 min, 10 to 200 Hz sweep: 3 G
Warranty One year – parts and labour

Ordering Information

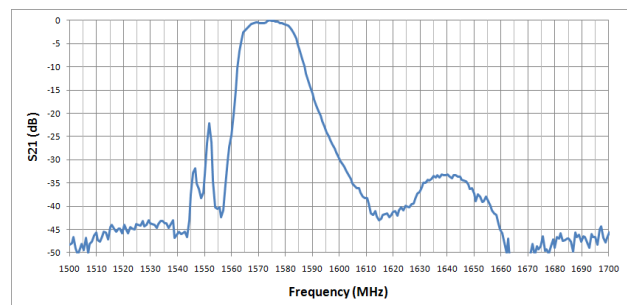
TW3072 – white, TNC connector 32-3072-x-y

Connector: x=1 TNC, x=2 N type
Color : y=1 White

Tallysman Wireless Inc

106 Schneider Road, Unit 3
Ottawa ON K2K 1Y2 Canada
Tel 613 591 3131
Fax 613 591 3121
sales@tallysman.com

Pre-Filter Pass-Band



The information provided herein is intended as a guide only and is subject to change without notice. This document is not to be regarded as a guarantee of performance. Tallysman Wireless Inc. hereby disclaims any or all warranties and liabilities of any kind. © 2011 Tallysman Wireless Inc. All rights reserved.

Doc # 60-0076-0

Rev 1.0