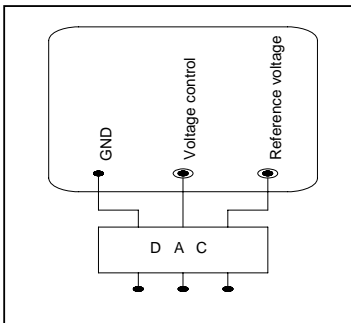


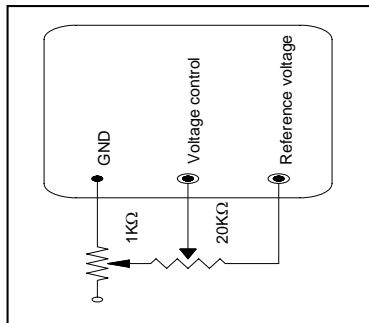
---

# OCXO FREQUENCY ADJUSTMENT

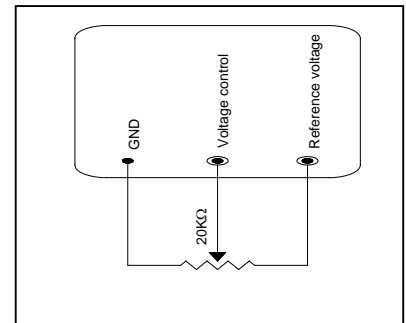
---



<With DAC>



<With two potentiometer>



<With one potentiometer>