

# SAW Filter VTF9502M

## SURFACE ACOUSTIC WAVE FILTER

1. APPLICATION: TV IF FILTER

2. SYSTEM: M/N

3. MODEL: VTF94502M

### 4. ELECTRICAL CHARACTERISTICS

4-1 Insertion Loss:		STD 2 dB
4-2 Attenuation ( ref. : 41.25 MHz):		
fp-6	39.75 MHz	-35.0 dB Max.
fp-4.5	41.25 MHz	0 dB
fp-3.58	42.17 MHz	-15.0 dB Max.
fp	45.75 MHz	-35.0 dB Max.
fp+1.5	47.25 MHz	-35.0 dB Max.
4-3 Outband Rejection:		
35.00 to 39.75 MHz		-33.0 dB Max.
47.25 to 55.00 MHz		-36.0 dB Max.
4-4 Temperature Coefficient Of Center Frequency:		-75 ppm/ Max.
4-5 Maximum DC Voltage:		10V DC.
4-6 Operating Temperature Range:		-10 to +70
4-7 Storage Temperature Range:		-20 to +80

### 5. RELIABILITY TEST

#### 5-1 Mechanical Shock

The components shall remain within the electrical specifications after 1000 shocks, acceleration  $392 \text{ m/s}^2$ , duration 6 milliseconds.

#### 5-2 Vibration Fatigue

The components shall remain within the electrical specifications after loaded vibration of 600 rpm to 3300 rpm, amplitude 1.5 mm, x, y, z, direction for 2 hours.

#### 5-3 Terminal Strength

The components shall remain within the electrical specifications after pulled 2 kgs weight for 10 seconds towards an axis of each terminal.

#### 5-4 High Temperature Storage

The components shall remain within the electrical specifications after being kept at the 85 ambient temperature for 96 hours, then kept at room temperature for 2 hours.

#### 5-5 Low Temperature Storage

The components shall remain within the electrical specifications after being kept at the -25 for 96 hours, then kept at room temperature for 2 hours.

#### 5-6 Humidity Test

The components shall remain within the electrical specifications after being kept at the condition of ambient temperature 40 , and 90 to 95% RH for 96 hours,

then kept at room temperature and normal humidity for 2 hours.

#### 5-7 Thermal Shock

The components shall remain within the electrical specifications after 10 cycles of Heat-Cycles-Testing (one cycle: -25 for 20 minutes, then 85 for 20 minutes), then kept at room temperature for 2 hours.

#### 5-8 Solder-heat Resistance

The components shall remain within the electrical specifications after dipped in the solder at 260 for 10 seconds, then kept at room temperature for 2 hours. (Terminal must be dipped leaving 1.5 mm from the case.)

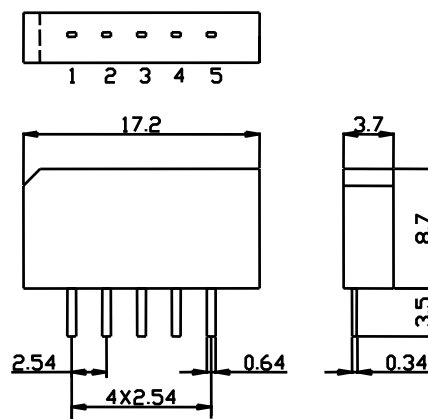
#### 5-9 Solderability

Solderability of terminals shall be kept at more than 90% after dipped in the solder flux at 235 for 2 seconds.

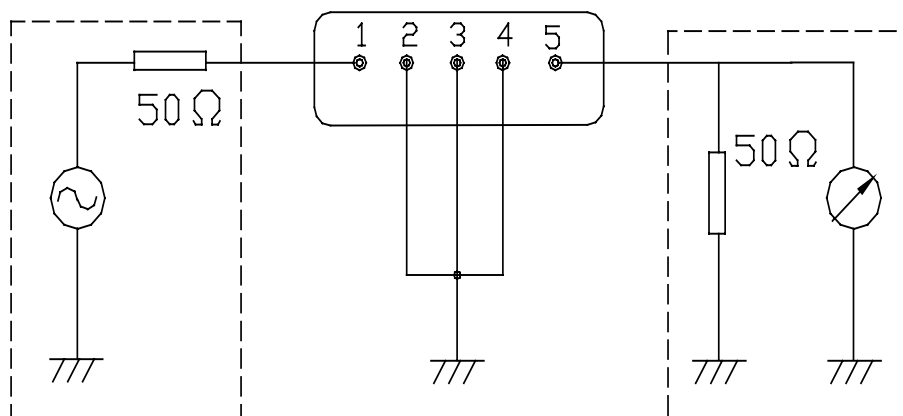
### 6. PACKAGE DIMENSION

Unit: mm

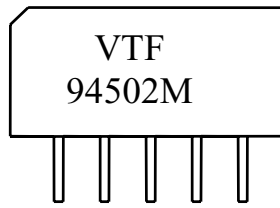
1. INPUT
2. INPUT-GROUND
3. GROUND
4. OUTPUT
5. OUTPUT



### 7. MEASUREMENT CIRCUIT



8. MARKING



VTF94502M  
1

MODEL  
PIN NO.1 MARK

9. FREQUENCY RESPONSE

